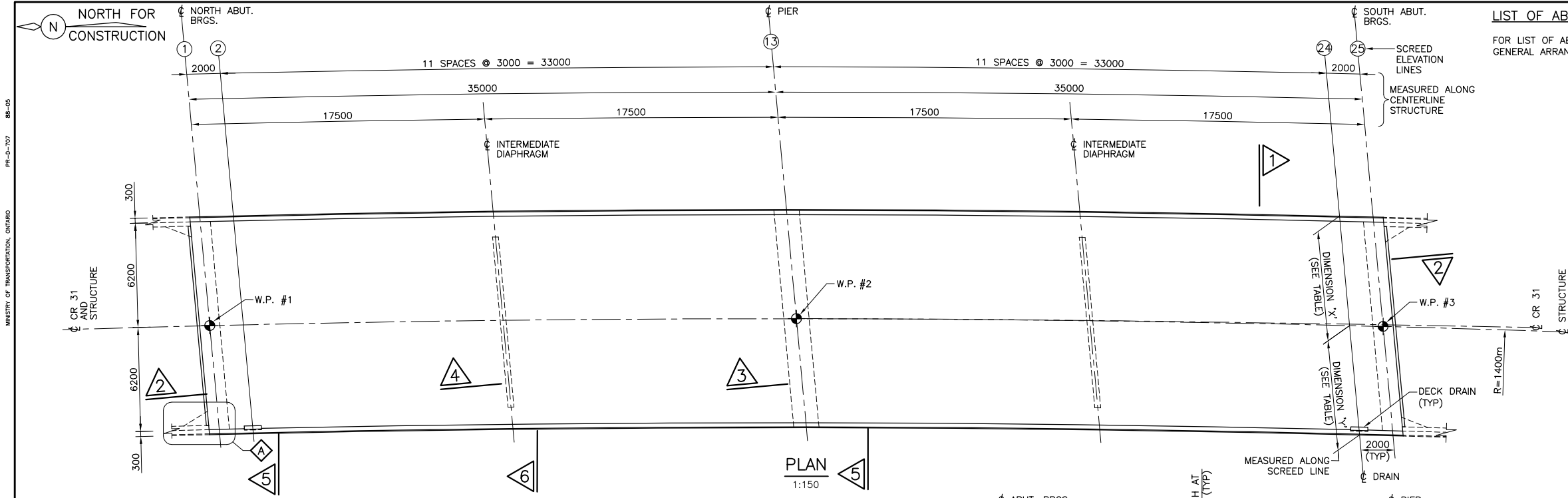


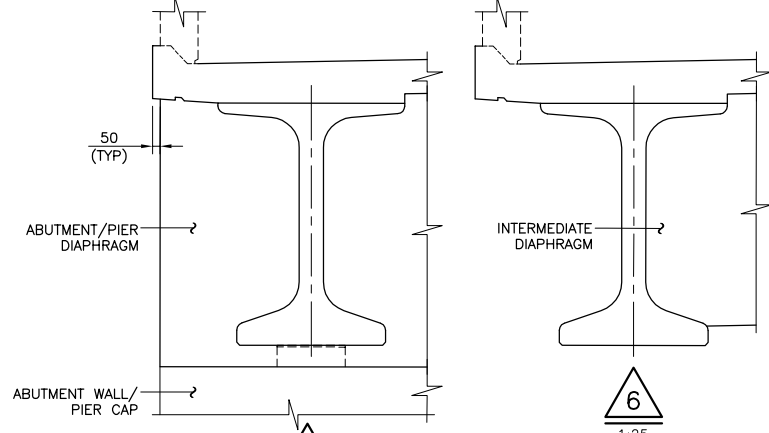
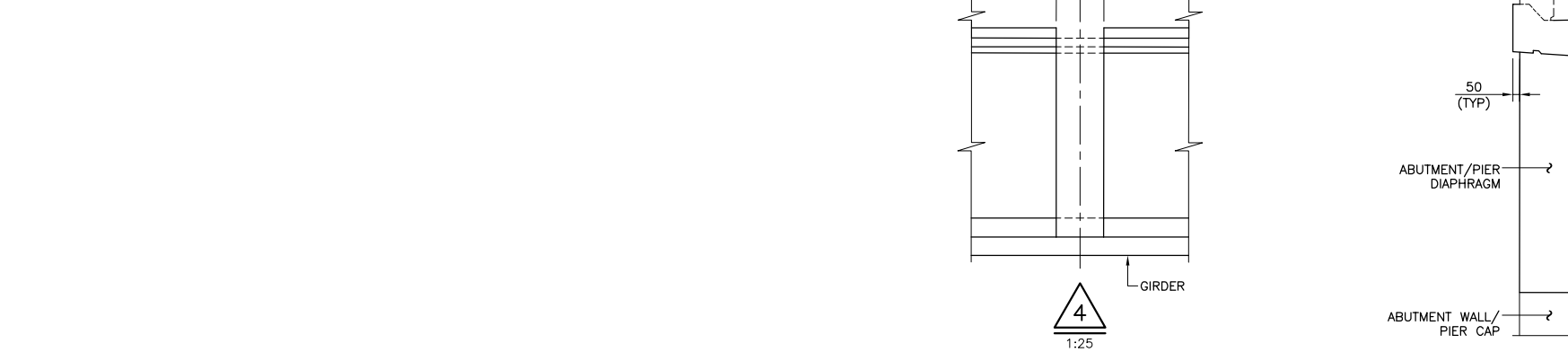
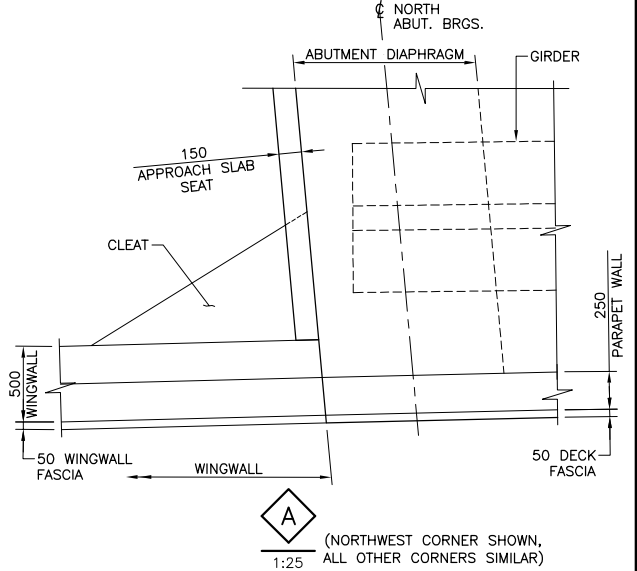
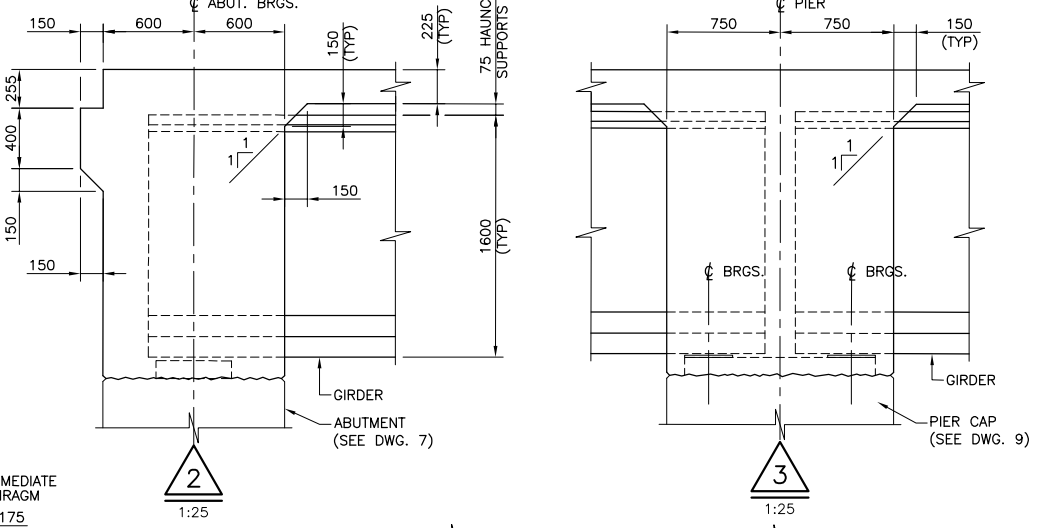
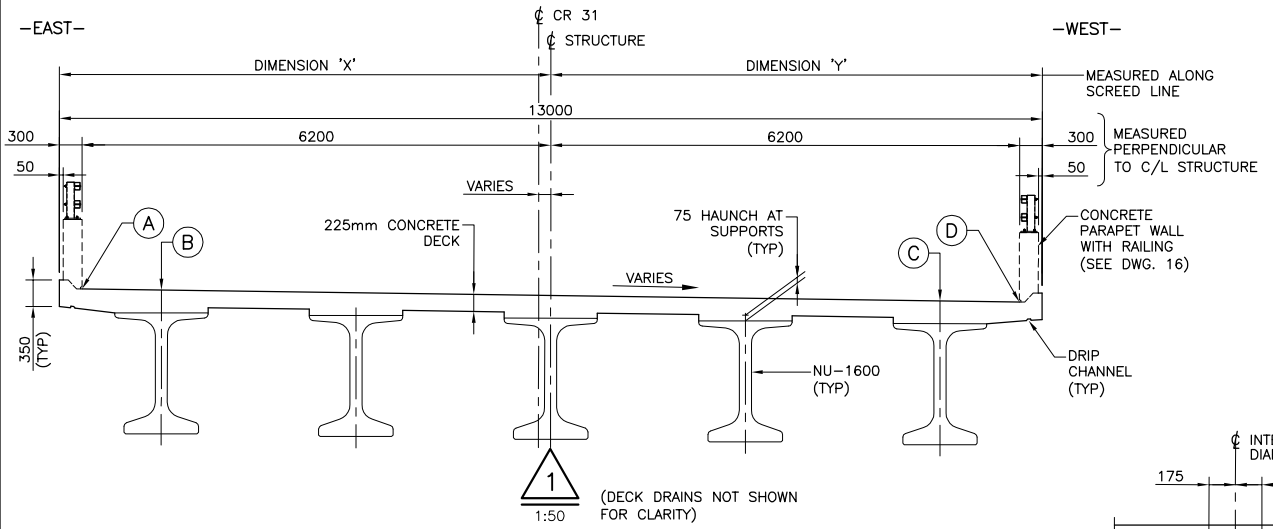
CONTRACT DRAWINGS
CONTRACT NO. 2018-4023
ADDENDUM NO. 1
A



LIST OF ABBREVIATIONS:
FOR LIST OF ABBREVIATIONS SEE GENERAL ARRANGEMENT DWG. 1

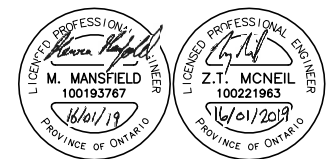
DISTRICT	CONT. No. 2018-4023	SHEET
	WP No. 4415-01-01	
HWY. 401 - BRIDGE REPLACEMENT		71A
COUNTY ROAD 31 INTERCHANGE		
SITE NO. 31X-0204/B0		METRIC
DECK DETAILS		

- NOTES:
- THIS DRAWING SHALL BE READ IN CONJUNCTION WITH DRAWINGS 7, 9, AND 13 TO 16.
 - SCREED ELEVATIONS ARE TO TOP OF CONCRETE DECK.
 - SCREED ELEVATIONS SHOWN IN TABLE INCLUDE AN ALLOWANCE FOR VERTICAL CURVE, WEIGHT OF DECK SLAB, AND SUPERIMPOSED DEAD LOAD.
 - CONCRETE IN DECK SLAB AND DIAPHRAGMS SHALL BE RETARDED USING A TYPE 'B' OR 'D' ADMIXTURE TO ENSURE THAT THE CONCRETE REMAINS PLASTIC FOR THE DURATION OF EACH PLACEMENT.
 - CONCRETE IN PARAPET WALLS SHALL NOT BE PLACED UNTIL ALL CONCRETE IN DECK SLAB HAS REACHED A STRENGTH OF 20 MPA.
 - ALL DIAPHRAGMS SHALL BE CAST INTEGRAL WITH DECK SLAB, AND CONCRETE IN DIAPHRAGMS SHALL BE VIBRATED THOROUGHLY.
 - COLOUR AND TEXTURE OF EXPOSED FACES OF DIAPHRAGMS AND GIRDERS TO MATCH.
 - THE CONTRACTOR SHALL PROVIDE THE CONTRACT ADMINISTRATOR WITH HIS HAUNCH CALCULATIONS BASED ON A FIELD SURVEY OF THE TOP OF ERECTED GIRDERS. IF THE HAUNCH THICKNESS EXCEEDS 100mm AT ANY LOCATION OR IF THE TOP FLANGE PENETRATES INTO THE DECK MORE THAN 25mm, THE CONTRACT ADMINISTRATOR SHALL NOTIFY THE DESIGN ENGINEER PRIOR TO CONTINUING WORK.
 - DECK DRAIN PIPES SHALL EXTEND 400mm BELOW THE UNDERSIDE OF THE ADJACENT GIRDER.



SKEW OFFSETS FROM CENTERLINE STRUCTURE TO OUTSIDE DECK																									
	①	②	③	④	⑤	⑥	⑦	⑧	⑨	⑩	⑪	⑫	⑬	⑭	⑮	⑯	⑰	⑱	⑲	⑳	㉑	㉒	㉓	㉔	㉕
DIM. 'X'	6.515	6.515	6.516	6.517	6.518	6.519	6.520	6.522	6.523	6.524	6.525	6.526	6.528	6.529	6.530	6.532	6.533	6.534	6.536	6.537	6.539	6.540	6.542	6.544	6.545
DIM. 'Y'	6.515	6.515	6.516	6.517	6.518	6.520	6.521	6.522	6.523	6.524	6.525	6.527	6.528	6.529	6.531	6.532	6.533	6.535	6.536	6.538	6.539	6.541	6.542	6.544	6.545

SCREED ELEVATIONS																									
	①	②	③	④	⑤	⑥	⑦	⑧	⑨	⑩	⑪	⑫	⑬	⑭	⑮	⑯	⑰	⑱	⑲	⑳	㉑	㉒	㉓	㉔	㉕
(A)	89.514	89.541	89.580	89.614	89.643	89.665	89.681	89.691	89.694	89.690	89.682	89.670	89.658	89.666	89.670	89.670	89.666	89.657	89.640	89.616	89.587	89.549	89.506	89.462	89.431
(B)	89.483	89.510	89.547	89.581	89.609	89.631	89.647	89.656	89.659	89.657	89.649	89.638	89.626	89.635	89.639	89.639	89.637	89.629	89.614	89.591	89.564	89.527	89.487	89.444	89.414
(C)	89.179	89.204	89.240	89.272	89.299	89.320	89.336	89.345	89.348	89.346	89.339	89.328	89.318	89.335	89.351	89.363	89.373	89.377	89.374	89.365	89.352	89.329	89.303	89.274	89.254
(D)	89.148	89.174	89.211	89.243	89.271	89.292	89.308	89.317	89.320	89.317	89.309	89.298	89.286	89.307	89.323	89.338	89.349	89.355	89.353	89.344	89.332	89.310	89.285	89.257	89.237



DRAWING NOT TO BE SCALED
100mm ON ORIGINAL DRAWING

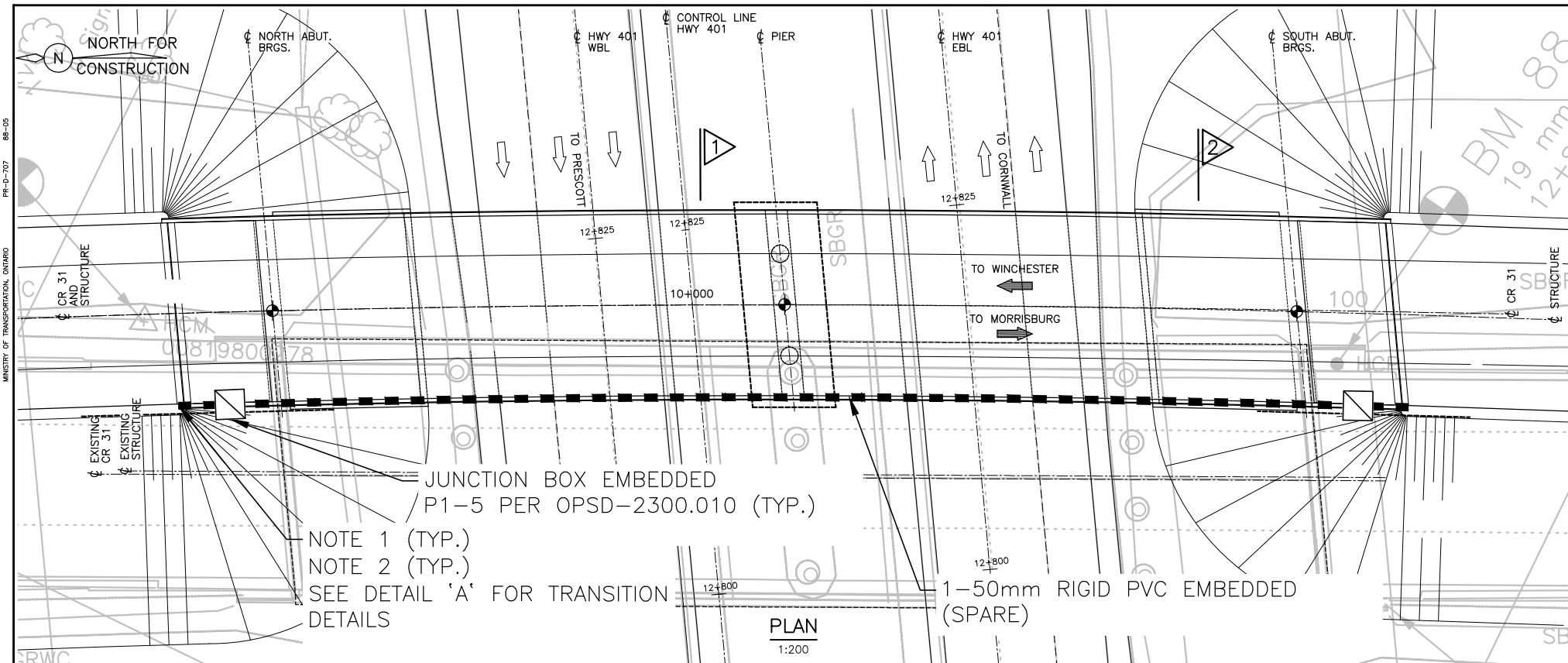
APPLICABLE STANDARD DRAWINGS

OPSD 3310.100	DECK, GIRDERS, CONCRETE, METHOD OF OBTAINING SCREED ELEVATIONS
OPSD 3329.100	DECK, REINFORCEMENT SUPPORTS FOR REINFORCING STEEL FOR SLAB DEPTHS 300mm OR LESS
OPSD 3340.150	DECK DRAINS WITH TRANSVERSE BAR OPENINGS
OPSD 3370.100	DECK WATERPROOFING HOT APPLIED ASPHALT MEMBRANE WITH PROTECTION BOARD DETAILS
OPSD 3370.101	DECK WATERPROOFING HOT APPLIED ASPHALT MEMBRANE AT ACTIVE CRACKS GREATER THAN 2mm WIDE AND CONSTRUCTION JOINTS
OPSD 3390.100	DECK DRIP CHANNEL
OPSD 3950.100	JOINTS CONCRETE EXPANSION AND CONSTRUCTION ON STRUCTURE

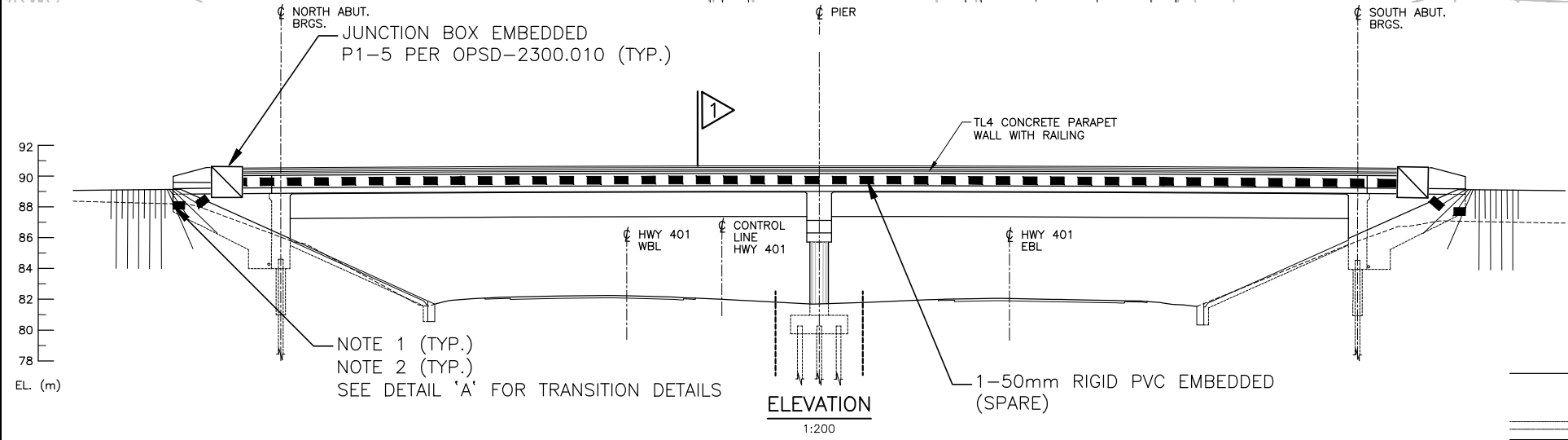
REVISIONS	DESCRIPTION

CAD FILE LOCATION AND NAME: M:\3412039\CONTRACT 78\CURRENT\SHEETS\31-204-CR31 HWY 31\3412039-7B-301-012_Deck-Details.dwg
 MODIFIED: 1/16/2019 11:39:52 AM BY: GORAJB
 DATE PLOTTED: 1/16/2019 11:39:53 AM BY: GORAJB

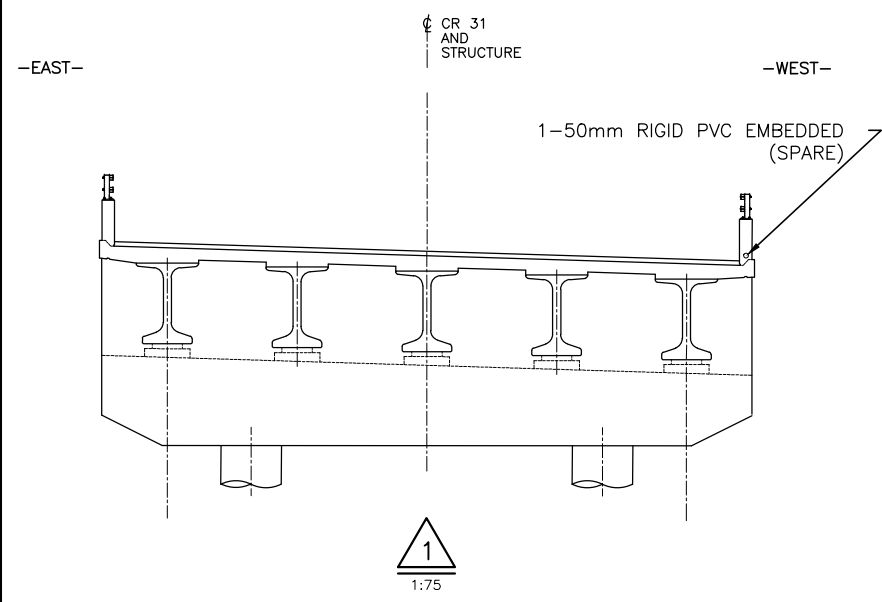
CAD FILE LOCATION AND NAME: S:\data\2012\3412039\200 - MTO - Meap2 Bridges\CP\EA\82-3412039-7B-301-023_Electrical_Embedded_Work.dwg
 MODIFIED: 1/17/2019 2:22:45 PM BY: WALLS
 DATE PLOTTED: 1/17/2019 2:25:54 PM BY: WALLS



PLAN
1:200



ELEVATION
1:200



1
1:75

SUPPLEMENTARY LEGEND:

- RIGID PVC EMBEDDED DUCT
- RIGID JUNCTION BOX EMBEDDED TYPE P1-5 PER OPSD 2300.010



GENERAL NOTES:

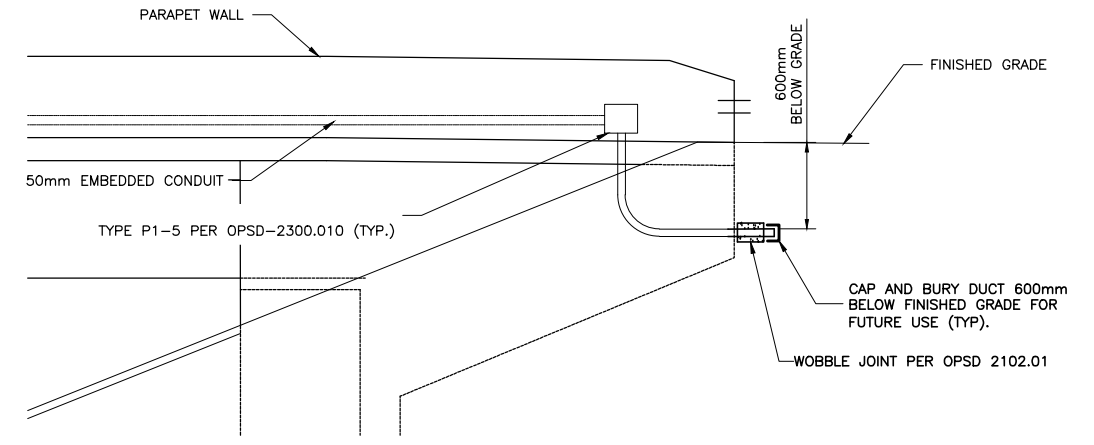
1. FOR ELECTRICAL SYMBOLS, SEE OPSD-2011.101 AND OPSD-2011.201 (ELECTRICAL LEGEND).
2. WHERE REQUIRED, FIELD ADJUST AS DIRECTED BY THE ENGINEER THE ROUTING OF EMBEDDED DUCTS TO AVOID CONFLICT.
3. BRIDGE STRUCTURAL COMPONENTS (SUBSTRUCTURE AND SUPERSTRUCTURE) ARE SHOWN HERE ONLY SCHEMATICALLY. FOR EXACT CONFIGURATION, SEE STRUCTURAL DRAWINGS.
4. TERMINATE THE EMBEDDED RIGID DUCT AT END OF WINGWALL, ON OUTSIDE OF WALL, WITH REGULAR COUPLING

NOTES:

1. FOR DUCT TERMINATIONS SEE OPSD-2302.045.
2. DUCT TO BE LEFT PLUGGED FOR FUTURE USE.

APPLICABLE STANDARD DRAWINGS:

- OPSD 2300.010 EMBEDDED WORK DETAIL, FOR RIGID PVC JUNCTION BOX, TYPE P1-5, FOR USE IN CONCRETE PARAPET WALL
- OPSD 2302.045 EMBEDDED WORK IN STRUCTURE, PARAPET WALL



DETAIL 'A' - TRANSITION OF EMBEDDED DUCT
N.T.S.

DRAWING NOT TO BE SCALED
100mm ON ORIGINAL DRAWING

DISTRICT	
CONT. No. 2018-4023	
WP No. 4415-01-01	
HWY. 401 - BRIDGE REPLACEMENT COUNTY ROAD 31 INTERCHANGE SITE NO. 31-204	SHEET
ELECTRICAL EMBEDDED WORK	82A
	METRIC

REVISIONS	DESCRIPTION

DESIGN MJPM | CHK ZM | CODE CHBDC 2014 | LOAD CL-625-ONT | DATE SEP 2018
 DRAWN BG | CHK ZM | SITE 31-204 | STRUCT | SCHEME | DWG 23