

10-1118 87-84

METRIC

DIMENSIONS ARE IN METRES AND/OR MILLIMETRES UNLESS OTHERWISE SHOWN

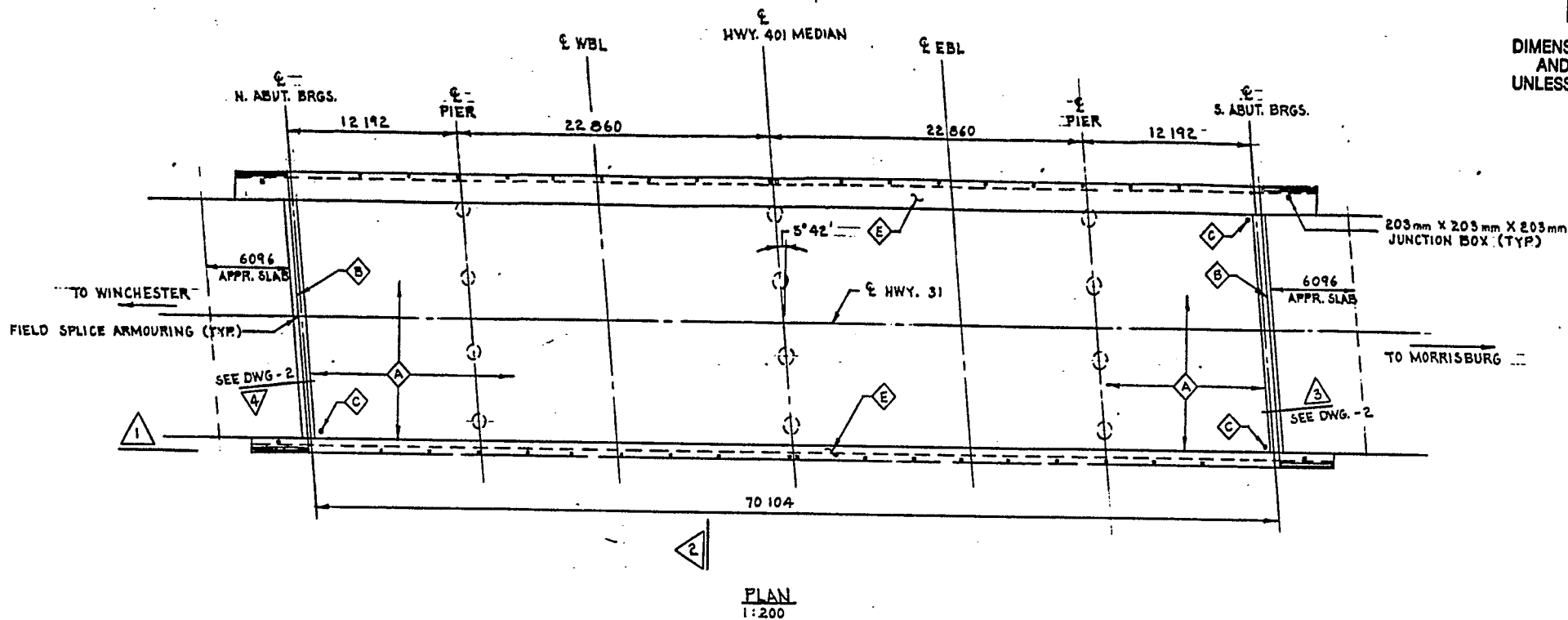
DIST. 9 - OTTAWA

CONT No 92-43
WP No 1-83-02

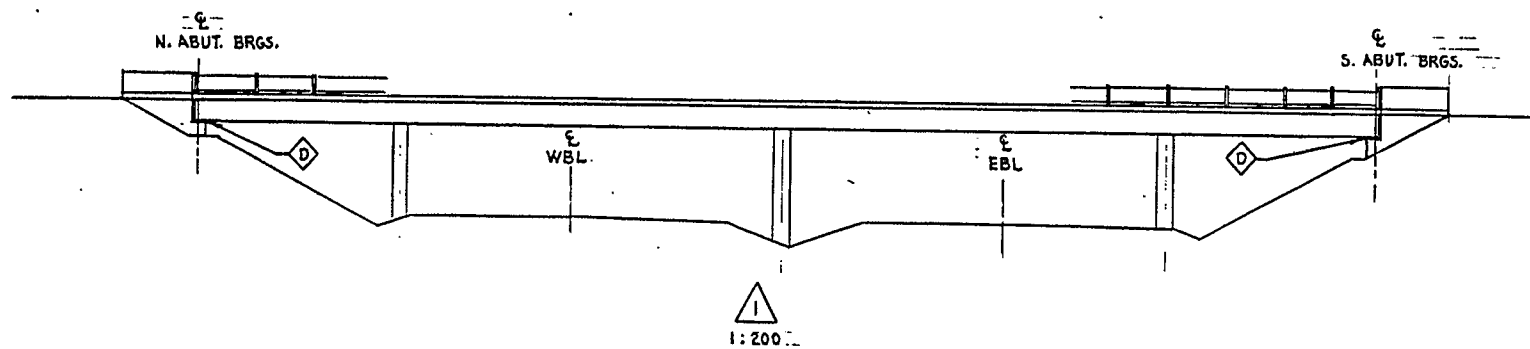


HWY. 31 U'PASS (HWY 401)
GENERAL ARRANGEMENT

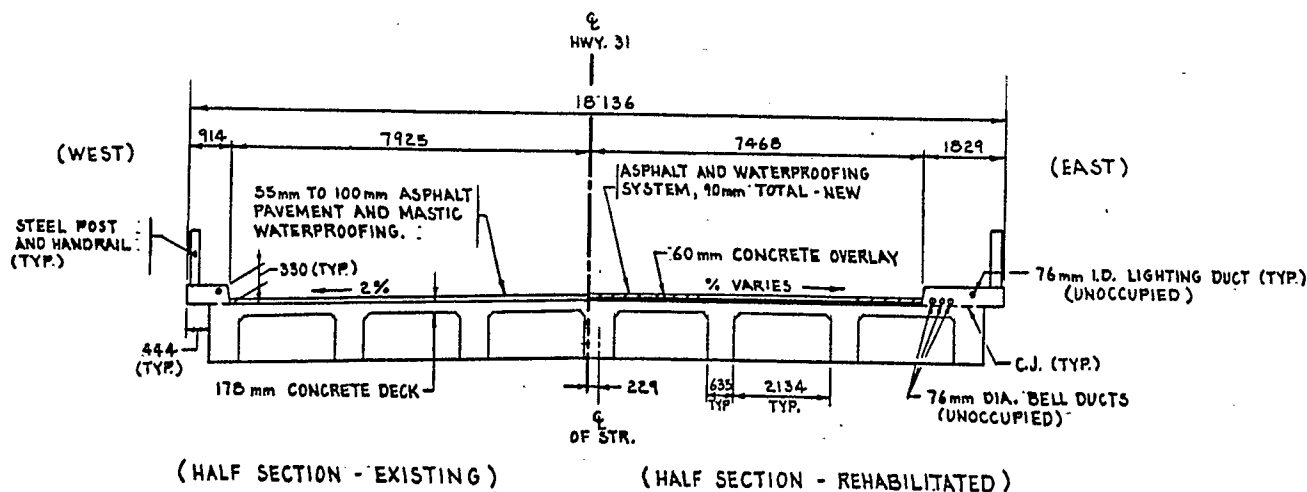
SHEET 32



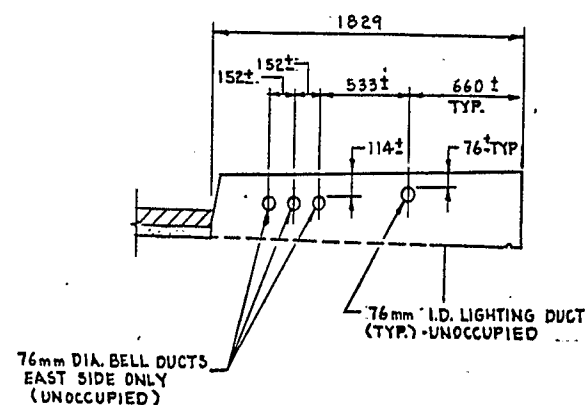
PLAN
1:200



1:200



2
1:75



EXISTING BELL DUCTS AND LIGHTING DUCT
EAST SIDEWALK
1:20

GENERAL NOTES

1. CLASS OF CONCRETE 30 MPa
2. CLEAR COVER TO REINFORCING STEEL SHALL BE 70 ± 20 mm UNLESS OTHERWISE NOTED.
3. REINFORCING STEEL SHALL BE GRADE 400 UNLESS OTHERWISE SPECIFIED. BARS MARKED WITH SUFFIX 'C' DENOTES COATED BARS.
4. SAWCUTS IN CONCRETE, WHERE DESIGNATED, SHALL BE 25 mm DEEP OR TO THE FIRST LAYER OF REINFORCING STEEL, WHICHEVER IS LESS.
5. FOR STAGING DETAILS AND MAINTENANCE OF TRAFFIC, SEE STAGING DRAWINGS.
6. THE CONTRACTOR SHALL VERIFY ALL DIMENSIONS OF THE EXISTING WORK AND ALL DETAILS ON SITE AND REPORT ANY DISCREPANCIES TO THE ENGINEER BEFORE PROCEEDING WITH THE WORK.
7. THE CONTRACTOR SHALL CHECK ALL RELEVANT DIMENSIONS AND ELEVATIONS OF EXISTING WORK PRIOR TO FABRICATION OF THE JOINT ASSEMBLIES. DIMENSIONS AND ELEVATIONS SHALL BE ADJUSTED AS REQUIRED TO SUIT THE PROPOSED WORK.
8. C.J. DENOTES CONSTRUCTION JOINT

WORK DESCRIPTION

- A REMOVE ASPHALT PAVEMENT AND MASTIC WATERPROOFING FROM DECK. SCARIFY DECK. REMOVE DETERIORATED AND DELAMINATED CONCRETE FROM DECK. PLACE CONCRETE OVERLAY, WATERPROOF AND REPAVE.
- B MODIFY EXISTING EXPANSION JOINTS AS DETAILED.
- C INSTALL PVC DRAINAGE TUBES IN DECK. (THREE LOCATIONS)
- D REPLACE ABUTMENT BEARINGS.
- E MISCELLANEOUS CONCRETE REPAIRS AS DIRECTED BY ENGINEER.

LIST OF DRAWINGS

- 31-204/R2-1. GENERAL ARRANGEMENT
 - 2. EXPANSION JOINT DETAIL
 - 3. BEARING DETAIL
 - 4. JOINT ANCHORAGE AND ARMOURING
 - 5. QUANTITIES - STRUCTURE
- FOR APPLICABLE STANDARD DETAILS REFER TO STRUCTURE STANDARD DETAIL SHEET AT END OF STRUCTURE DRAWINGS.

REFERENCE DRAWINGS

D-4749-1 TO 15



DRAWING NOT TO BE SCALED
100 mm ON ORIGINAL DRAWING

REVISIONS	DATE	BY	DESCRIPTION

DESIGN	HK	CHK	Q1	CODE	LOAD	DATE	SEPT. 91
DRAWN	AR	CHK	TAN	SITE	31-204/STRUCT	SCHEME	R2/DWG. 1