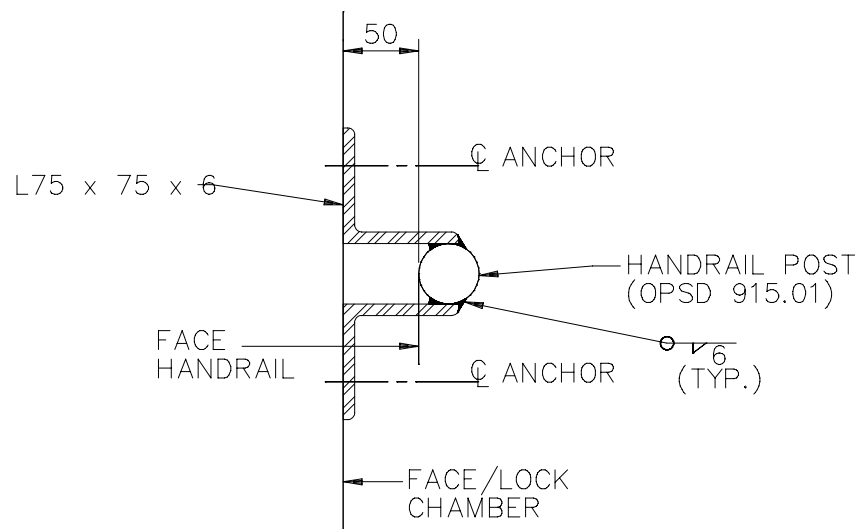


ANCHOR ELEVATION
SCALE 1:5



SECTION A-A
SCALE 1:5

NOTE:

- DETAILS TO BE READ IN CONJUNCTION WITH OPSD 915.01.